

Let's realize
the potential of air
for a sustainable world



LTG Process Air Technology

Learn more about our
Brake Cooling Fan
BCS 355:



LTG Solutions for Aviation

Brake Cooling Fan Type BCS 355

The compact LTG Brake Cooling Fan was specially developed for cooling the brakes on the landing gear of aircraft, particularly for the Airbus A350 and A380 as well as the Boeing 777 and 787. Thanks to the simple height adjustment, the device can be easily adapted to different aircraft types.

For efficient cooling, the BCS is placed directly on the braked wheel. The BCS cools the brake components through the rim openings using the integrated LTG high-performance fan. The air outlet on the BCS is advantageously directed downwards to ensure trouble-free and low-noise operation underneath the aircraft. The cooling process of the brake disks is considerably accelerated with the help of the BCS. Within a very short time, the aircraft are ready for take-off again!

Fast and Efficient Brake Cooling

- Quick cooling within a few minutes
- Emission-free, low-noise operation
- Compact and ergonomic design
- Mobile without any cables
- Powered with rechargeable batteries
- Customer-specific solutions on request

For the following aircraft types:

Airbus: A330, A340, A350, A380

Boeing: B747, B777, B787

Douglas DC-10,

McDonnell Douglas MD-11

Lockheed L-1011

Brake Cooling Fan Type BCS 355

Features

The mobile unit is supplied fully assembled in an aluminum housing with two swivel and two fixed castors, including control cabinet and operating unit. The swivel castors and built-in brakes ensure safe positioning. The lightweight design enables simple and ergonomic operation: easy movement and steering in a gentle posture. The main component is an LTG high-performance cooling fan. For the power supply, the BCS is equipped with rechargeable batteries including charger and cable as well as a charge status indicator. The BCS also has an operating hours counter.

Technical Data & Dimensions

Motor rated output	1/3 HP	Weight	420 lbs
Operating / control voltage	24V	Sound level at 1m distance	<75dB(A)
Power supply	230V (200-250) / 50-60 Hz o. 120V (100-130) / 50-60 Hz	Operating time	4 h
Measurements in mm	H: 1170 L: 830 : 770 Axle height: 530-650 mm	Ambient temperature	22 to 130 °F

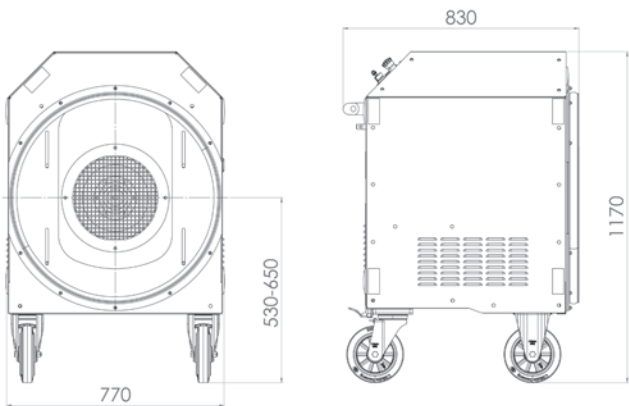


Image: Measurements

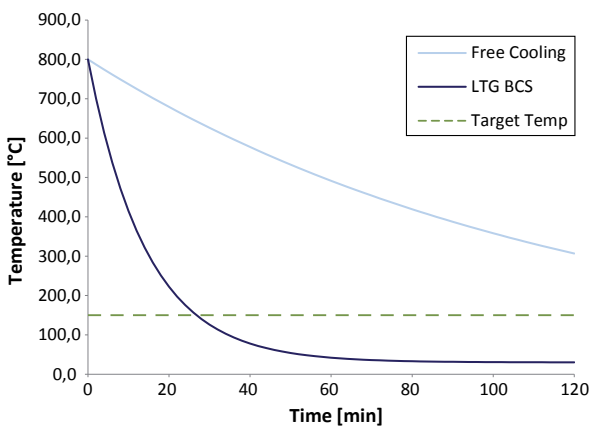


Image: Cooling curve (A380)

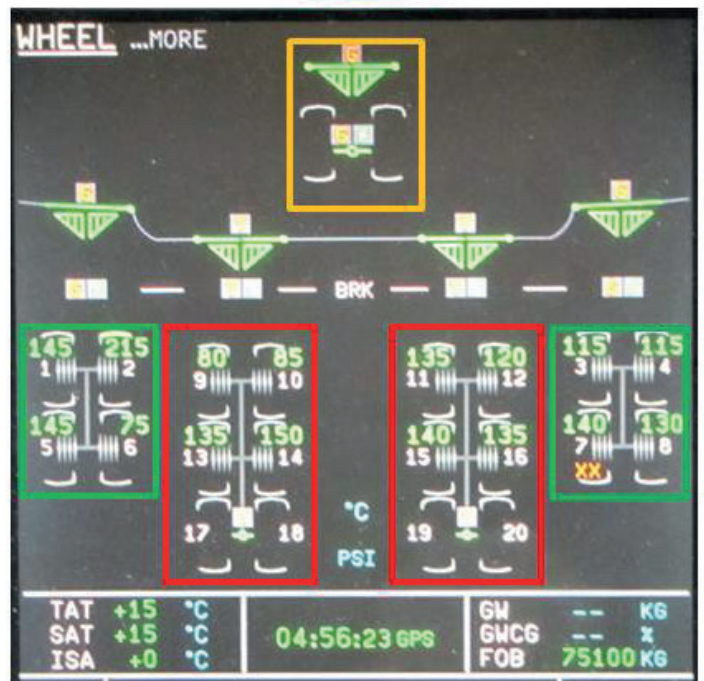


Image: Cooling details (A380)